



[dcomercial@laminaire.net](mailto:dcomercial@laminaire.net)  
[www.laminaire.net](http://www.laminaire.net)



# CEILING DIFFUSERS



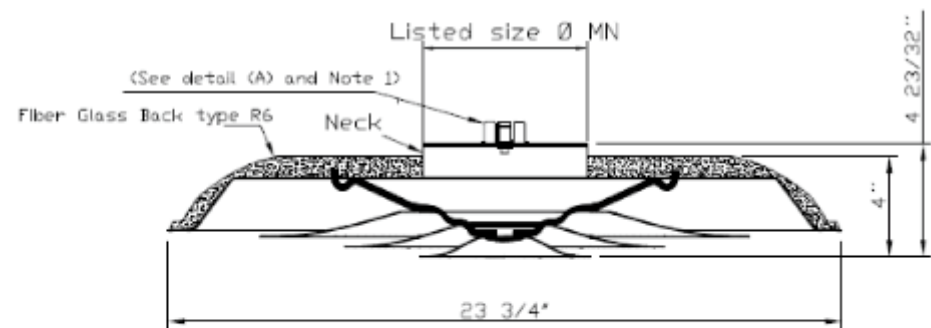
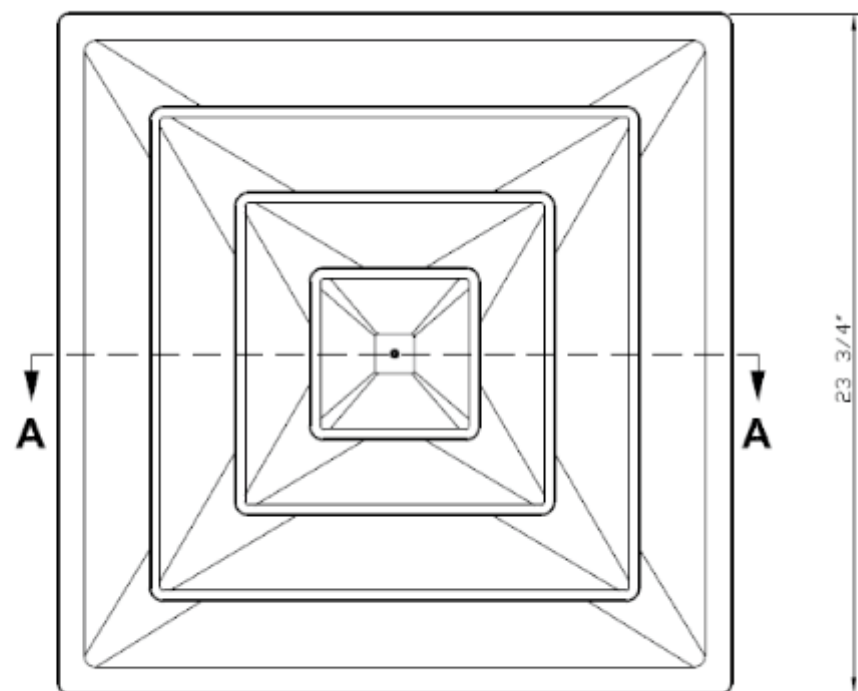
[www.laminaire.net](http://www.laminaire.net)



L-1300

L-1300 SERIES 3 - CONE - FEATURES

CEILING DIFFUSERS



Detail (A)  
(Radial sliding blade damper)



Finish  
White (Standard)  
Other colors (Optional)

Note1: Optional (Available in size  
ØMN 6",8",10",12",14")  
Note2: Available L-1300 in size 24" x 24"

Material: Aluminum or Steel

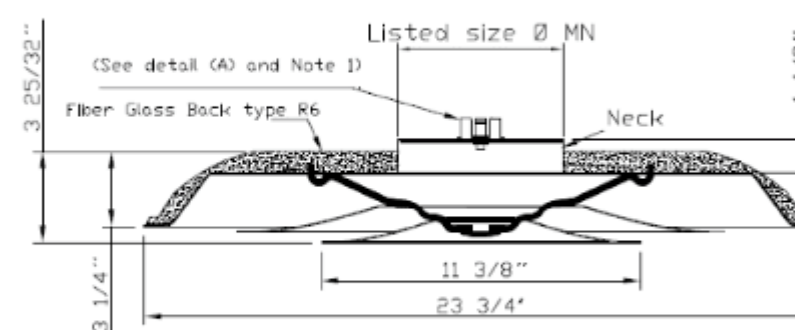
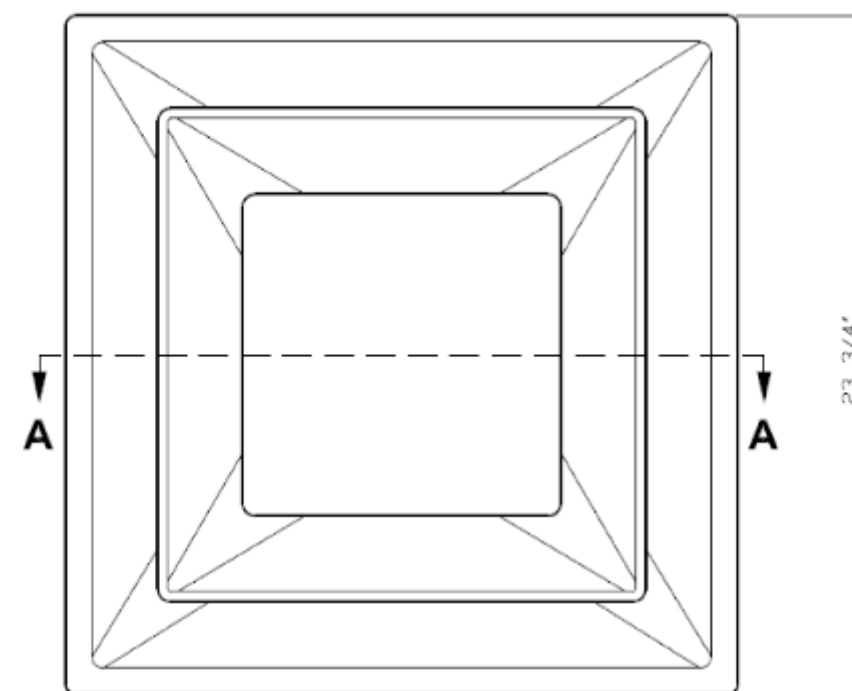
[www.laminaire.net](http://www.laminaire.net)



L-1300

L-1302 SERIES 2 - CONE - FEATURES

CEILING DIFFUSERS



Detail (A)



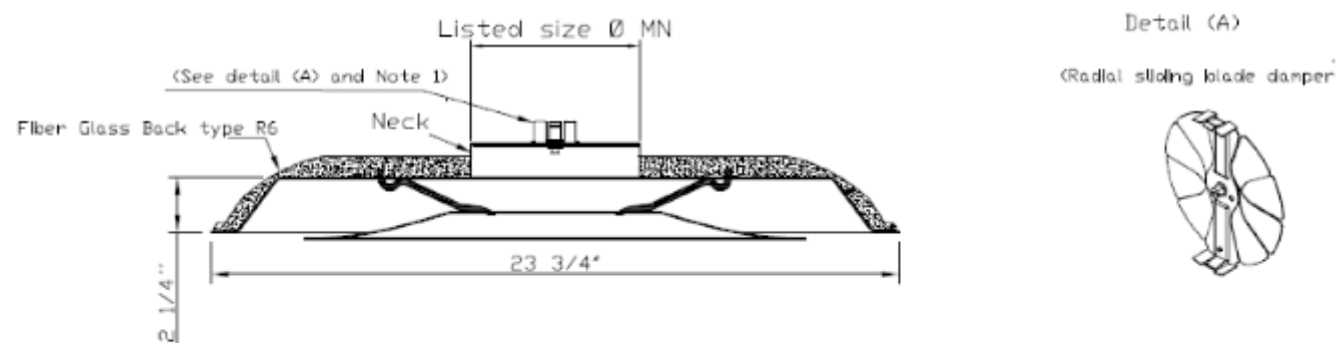
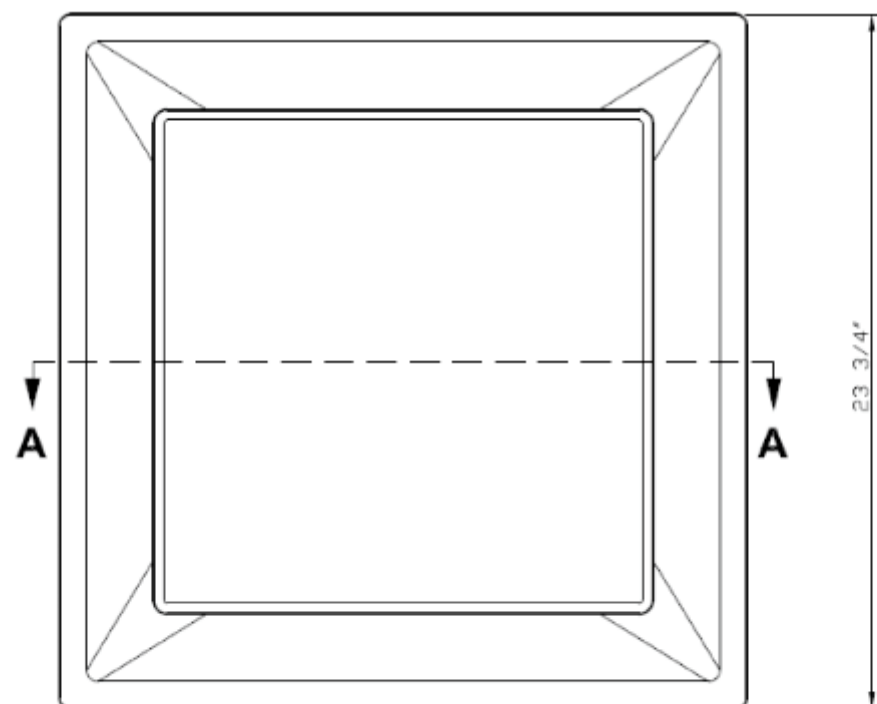
Finish  
White (Standard)  
Other colors (Optional)

Note1: Optional (Available in size  
ØMN 6",8",10",12",14")  
Note2: Available L-1300 in size 24" x 24"

Material: Aluminum or Steel

[www.laminaire.net](http://www.laminaire.net)

L-1300FP SERIES 1 - CONE - FEATURES



Finish  
White (Standard)  
Other colors (Optional)

Note1: Optional (Available in size  
ØMN 6", 8", 10", 12", 14")

Note2: Available L-1300 in size 24" x 24"

HIGH VELOCITY - CEILING DIFFUSER

The L-1300 (steel fixed) and L-1300A (aluminum fixed) are square faced stepdown ceiling diffusers with round necks.

They feature a fixed horizontal four-way air deflection and discharge pattern. The backpan and cores are one piece stamped construction which provide a smooth appearance without miter joints.

The L-1302 (steel fixed) and L-1302 (aluminum fixed) are square faced stepdown ceiling diffusers with round necks. They feature a fixed horizontal four-way air deflection and discharge pattern. The backpan and cores are one-piece stamped construction which provide a smooth appearance without miter joints.

The L-1300FP (steel), L-1300FP-A (aluminum) diffusers consist of a stamped backpan with an integral round collar and a removable plaque face. The plaque is held in place with four brackets that positively engage into the backpan.

The architectural plaque diffusers feature a 4-way horizontal ceiling pattern effective for cooling applications where a clean ceiling appearance is required.

The L-1300FP, L-1300FP-A series diffusers have been carefully engineered for critical aesthetic applications while maintaining excellent performance. The plaque is made of dual thickness metal, which results in a clean appearance due to the absence of spot welds and rivets.

FEATURES

- Steel or aluminum construction
- Full-face diffuser
- Anti-smudge design
- Non-removable core is welded into place
- Optional round damper is adjustable through a removable plug in center cone (screwdriver adjustable)
- Standard finish is white





# L-1300

## L-1300 SERIES STEPDOWN 3 - CONE

STEEL AND ALUMINUM CONSTRUCTION  
FIXED PATTERN - HORIZONTAL THROW TB (24X24)

6	FPM Neck Velocity	200	300	500	600	700	800	900	1000	1100
	Airflow Rate (CFM)	39	59	98	118	137	157	177	196	216
	Static Pressure	0,002	0,004	0,01	0,015	0,02	0,026	0,033	0,041	0,049
	Total Pressure	0,004	0,009	0,026	0,037	0,05	0,066	0,083	0,103	0,124
	Horizontal Throw	1 - 1 - 4	1 - 3 - 6	3 - 5 - 8	4 - 6 - 9	4 - 6 - 10	5 - 7 - 10	6 - 8 - 10	6 - 8 - 11	7 - 8 - 12
NC	-	-	-	-	-	12	16	19	22	

8	FPM Neck Velocity	200	300	500	600	700	800	900	1000	1100
	Airflow Rate (CFM)	70	105	175	209	244	279	314	349	384
	Static Pressure	0,003	0,007	0,02	0,029	0,039	0,051	0,065	0,08	0,097
	Total Pressure	0,006	0,013	0,038	0,051	0,07	0,091	0,115	0,142	0,172
	Horizontal Throw	1 - 2 - 5	2 - 4 - 7	4 - 6 - 11	5 - 7 - 12	6 - 9 - 13	7 - 10 - 14	7 - 10 - 14	8 - 11 - 15	9 - 11 - 16
NC	-	-	-	11	16	20	24	27	30	

10	FPM Neck Velocity	200	300	500	600	700	800	900	1000	1100
	Airflow Rate (CFM)	109	164	273	327	382	436	491	545	600
	Static Pressure	0,005	0,012	0,033	0,047	0,064	0,084	0,106	0,131	0,158
	Total Pressure	0,008	0,017	0,048	0,07	0,095	0,124	0,156	0,193	0,234
	Horizontal Throw	1 - 2 - 6	2 - 4 - 9	5 - 8 - 14	6 - 9 - 15	7 - 11 - 16	8 - 12 - 17	9 - 13 - 18	10 - 14 - 19	11 - 14 - 20
NC	-	-	12	17	22	36	30	33	36	

12	FPM Neck Velocity	200	300	500	600	700	800	900	1000	1100
	Airflow Rate (CFM)	157	236	393	471	550	628	707	785	864
	Static Pressure	0,008	0,017	0,048	0,065	0,095	0,123	0,156	0,193	0,233
	Total Pressure	0,011	0,021	0,06	0,091	0,123	0,162	0,204	0,25	0,302
	Horizontal Throw	1 - 2 - 7	1 - 5 - 11	6 - 9 - 16	7 - 11 - 18	9 - 13 - 19	10 - 14 - 20	11 - 15 - 22	12 - 16 - 23	14 - 17 - 24
NC	-	-	17	22	27	31	34	38	41	

14	FPM Neck Velocity	200	300	500	600	700	800	900	1000	1100
	Airflow Rate (CFM)	214	321	428	353	641	748	855	962	1069
	Static Pressure	0,011	0,024	0,043	0,067	0,096	0,13	0,17	0,216	0,266
	Total Pressure	0,013	0,03	0,053	0,082	0,118	0,161	0,21	0,266	0,329
	Horizontal Throw	1 - 3 - 9	3 - 7 - 14	5 - 9 - 18	8 - 12 - 20	9 - 14 - 22	11 - 16 - 24	12 - 18 - 26	14 - 19 - 27	15 - 20 - 29
NC	-	-	-	-	-	12	16	19	22	



# L-1302

## L-1302 SERIES STEPDOWN 2 - CONE

STEEL AND ALUMINUM CONSTRUCTION  
FIXED PATTERN - HORIZONTAL THROW TB (24X24)

6	FPM Neck Velocity	200	300	500	600	700	800	900	1000	1100
	Airflow Rate (CFM)	39	59	98	118	137	157	177	196	216
	Static Pressure	0,003	0,006	0,016	0,023	0,032	0,042	0,053	0,065	0,079
	Total Pressure	0,005	0,011	0,032	0,046	0,062	0,081	0,103	0,127	0,154
	Horizontal Throw	- 1 - 3	1 - 2 - 4	2 - 4 - 7	3 - 4 - 8	3 - 5 - 8	4 - 6 - 9	4 - 6 - 9	5 - 7 - 10	5 - 7 - 10
NC	-	-	-	-	15	19	23	26	29	

8	FPM Neck Velocity	200	300	500	600	700	800	900	1000	1100
	Airflow Rate (CFM)	70	105	175	209	244	279	314	349	384
	Static Pressure	0,003	0,008	0,022	0,031	0,042	0,055	0,07	0,086	0,105
	Total Pressure	0,003	0,013	0,037	0,054	0,073	0,095	0,121	0,149	0,18
	Horizontal Throw	1 - 1 - 4	1 - 3 - 6	- 3 - 5 - 9	4 - 6 - 10	4 - 7 - 11	5 - 7 - 12	6 - 8 - 13	6 - 9 - 13	7 - 10 - 14
NC	-	-	-	14	19	23	27	30	33	

10	FPM Neck Velocity	200	300	500	600	700	800	900	1000	1100
	Airflow Rate (CFM)	109	164	273	327	382	436	491	545	600
	Static Pressure	0,005	0,01	0,029	0,041	0,056	0,073	0,093	0,114	0,138
	Total Pressure	0,007	0,016	0,044	0,064	0,087	0,113	0,143	0,177	0,214
	Horizontal Throw	1 - 1 - 5	1 - 3 - 7	4 - 6 - 12	5 - 7 - 13	5 - 8 - 14	6 - 9 - 15	7 - 11 - 16	8 - 12 - 17	9 - 12 - 17
NC	-	-	11	17	22	26	30	33	36	

12	FPM Neck Velocity	200	300	500	600	700	800	900	1000	1100
	Airflow Rate (CFM)	157	236	393	471	550	628	707	785	864
	Static Pressure	0,006	0,013	0,037	0,053	0,073	0,095	0,12	0,148	0,179
	Total Pressure	0,008	0,019	0,053	0,076	0,103	0,135	0,17	0,21	0,255
	Horizontal Throw	1 - 2 - 6	- 2 - 4 - 8	5 - 7 - 14	- 6 - 8 - 15	7 - 10 - 17	7 - 11 - 18	8 - 13 - 19	9 - 14 - 20	10 - 15 - 21
NC	-	-	14	19	24	28	32	36	39	

14	FPM Neck Velocity	200	300	500	600	700	800	900	1000	1100
	Airflow Rate (CFM)	214	321	428	353	641	748	855	962	1069
	Static Pressure	0,008	0,017	0,03	0,047	0,068	0,092	0,12	0,152	0,188
	Total Pressure	0,01	0,023	0,04	0,063	0,09	0,123	0,16	0,203	0,251
	Horizontal Throw	1 - 2 - 7	2 - 4 - 10	4 - 7 - 13	5 - 8 - 16	7 - 10 - 18	8 - 11 - 19	9 - 13 - 21	10 - 15 - 22	11 - 16 - 23
NC	-	-	-	-	-	12	16	19	22	





# L-1300FP

## L-1300FP SERIES 1 - CONE

STEEL AND ALUMINUM CONSTRUCTION  
ARCHITECTURAL PLAQUE

Neck Size (IN)	FPM Neck Velocity	400	500	600	700	800	900	1000	1200	1400
	Velocity Pressure	0,01	0,016	0,022	0,031	0,04	0,051	0,062	0,09	0,122
6	Airflow rate (CFM)	80	100	120	140	160	180	200	240	280
	Total Pressure	0,011	0,017	0,025	0,034	0,044	0,057	0,07	0,1	0,135
	Horizontal Throw	1 - 1 - 4	1 - 2 - 4	1 - 3 - 5	2 - 3 - 6	2 - 4 - 7	3 - 4 - 8	3 - 4 - 9	4 - 5 - 11	4 - 6 - 11
	NC	-	-	-	-	15	17	21	29	34

Neck Size (IN)	FPM Neck Velocity	400	500	600	700	800	900	1000	1200	1400
	Velocity Pressure	0,01	0,016	0,022	0,031	0,04	0,051	0,062	0,09	0,122
8	Airflow rate (CFM)	140	175	210	245	280	315	360	420	490
	Total Pressure	0,018	0,028	0,04	0,055	0,072	0,091	0,112	0,162	0,22
	Horizontal Throw	2 - 3 - 6	2 - 4 - 7	3 - 3 - 49	3 - 5 - 10	4 - 6 - 12	4 - 6 - 12	5 - 7 - 13	6 - 9 - 14	7 - 10 - 15
	NC	-	-	-	15	20	24	28	35	41

Neck Size (IN)	FPM Neck Velocity	400	500	600	700	800	900	1000	1200	1400
	Velocity Pressure	0,01	0,016	0,022	0,031	0,04	0,051	0,062	0,09	0,122
10	Airflow rate (CFM)	220	275	330	385	440	495	550	660	770
	Total Pressure	0,029	0,043	0,06	0,082	0,108	0,136	0,168	0,243	0,331
	Horizontal Throw	3 - 4 - 8	3 - 5 - 10	4 - 6 - 12	5 - 7 - 13	5 - 8 - 14	6 - 9 - 15	7 - 10 - 16	8 - 12 - 18	10 - 13 - 19
	NC	-	-	-	15	20	24	28	35	41

Neck Size (IN)	FPM Neck Velocity	400	500	600	700	800	900	1000	1200	1400
	Velocity Pressure	0,01	0,016	0,022	0,031	0,04	0,051	0,062	0,09	0,122
12	Airflow rate (CFM)	310	390	470	550	630	710	790	940	1100
	Total Pressure	0,037	0,069	0,085	0,115	0,151	0,19	0,237	0,338	0,461
	Horizontal Throw	4 - 5 - 11	5 - 7 - 14	5 - 8 - 15	6 - 9 - 16	7 - 11 - 17	8 - 12 - 18	9 - 14 - 19	11 - 15 - 21	13 - 16 - 23
	NC	-	-	-	18	23	27	31	38	43

Neck Size (IN)	FPM Neck Velocity	400	500	600	700	800	900	1000	1200	1400
	Velocity Pressure	0,01	0,016	0,022	0,031	0,04	0,051	0,062	0,09	0,122
14	Airflow rate (CFM)	430	530	640	750	860	960	1070	1280	1500
	Total Pressure	0,05	0,078	0,114	0,155	0,202	0,256	0,316	0,453	0,619
	Horizontal Throw	4 - 7 - 13	6 - 8 - 16	7 - 10 - 17	8 - 12 - 19	9 - 13 - 20	10 - 15 - 21	11 - 16 - 23	13 - 17 - 25	15 - 19 - 27
	NC	-	-	-	20	25	29	33	40	45



CEILING DIFFUSERS